

**BALDOR® • RELIANCE** 

**Product Information Packet**

**MVM3460C**

**.37KW,3450RPM,3PH,60HZ,D71C,3320M,TEFC**

| Part Detail |         |             |            |             |           |               |            |
|-------------|---------|-------------|------------|-------------|-----------|---------------|------------|
| Revision:   | AL      | Status:     | PRD/A      | Change #:   |           | Proprietary:  | No         |
| Type:       | AC      | Elec. Spec: | 33WG0425   | CD Diagram: | CD0005A05 | Mfg Plant:    |            |
| Mech. Spec: | 33-1922 | Layout:     | 33LY1922   | Poles:      | 02        | Created Date: | 06-25-2007 |
| Base:       | N       | Eff. Date:  | 01-17-2019 | Leads:      | 9#18      |               |            |

| Specs                           |                         |                                |                 |
|---------------------------------|-------------------------|--------------------------------|-----------------|
| Catalog Number:                 | MVM3460C                | Insulation Class:              | B               |
| Enclosure:                      | TEFC                    | Inverter Code:                 | Not Inverter    |
| Frame:                          | D71C                    | KVA Code:                      | -               |
| Frame Material:                 | Steel                   | Lifting Lugs:                  | No Lifting Lugs |
| Output @ Frequency:             | .500 HP @ 60 HZ         | Locked Bearing Indicator:      | Locked Bearing  |
| Synchronous Speed @ Frequency:  | 3600 RPM @ 60 HZ        | Motor Lead Quantity/Wire Size: | 9 @ 18 AWG      |
| Voltage @ Frequency:            | 230.0 V @ 60 HZ         | Motor Lead Exit:               | Ko Box          |
|                                 | 460.0 V @ 60 HZ         | Motor Lead Termination:        | Flying Leads    |
| Agency Approvals:               | UR                      | Motor Type:                    | 3320M           |
|                                 | CSA                     | Mounting Arrangement:          | F2              |
| Auxillary Box:                  | No Auxillary Box        | Power Factor:                  | 71              |
| Auxillary Box Lead Termination: | None                    | Product Family:                | General Purpose |
| Base Indicator:                 | No Mounting             | Pulley End Bearing Type:       | Ball            |
| Bearing Grease Type:            | Polyrex EM (-20F +300F) | Pulley Face Code:              | C-Face          |
| Blower:                         | None                    | Pulley Shaft Indicator:        | Tapped & Key    |
| Current @ Voltage:              | .600 A @ 460.0 V        | Rodent Screen:                 | None            |
|                                 | 1.200 A @ 230.0 V       | RoHS Status:                   | ROHS COMPLIANT  |
|                                 | 1.500 A @ 208.0 V       | Shaft Extension Location:      | Pulley End      |

|                                       |                           |                                    |                     |
|---------------------------------------|---------------------------|------------------------------------|---------------------|
| <b>Design Code:</b>                   | B                         | <b>Shaft Ground Indicator:</b>     | No Shaft Grounding  |
| <b>Drip Cover:</b>                    | No Drip Cover             | <b>Shaft Rotation:</b>             | Reversible          |
| <b>Duty Rating:</b>                   | CONT                      | <b>Shaft Slinger Indicator:</b>    | No Slinger          |
| <b>Electrically Isolated Bearing:</b> | Not Electrically Isolated | <b>Speed Code:</b>                 | Single Speed        |
| <b>Feedback Device:</b>               | NO FEEDBACK               | <b>Motor Standards:</b>            | IEC                 |
| <b>Feedback Signal:</b>               | NONE                      | <b>Starting Method:</b>            | Direct on line      |
| <b>Frame Prefix:</b>                  | D                         | <b>Thermal Device - Bearing:</b>   | None                |
| <b>Front Face Code:</b>               | Standard                  | <b>Thermal Device - Winding:</b>   | None                |
| <b>Front Shaft Indicator:</b>         | None                      | <b>Vibration Sensor Indicator:</b> | No Vibration Sensor |
| <b>Heater Indicator:</b>              | No Heater                 | <b>Winding Thermal 1:</b>          | None                |
|                                       |                           | <b>Winding Thermal 2:</b>          | None                |

| Nameplate NP1379L |              |
|-------------------|--------------|
| CAT.NO.           | MVM3460C     |
| SPEC.             | 33-1922-425  |
| IEC FRAME         | D71C         |
| VOLTS             | 230/460      |
| AMP               | 1.2/6        |
| RPM               | 3450         |
| HZ                | 60           |
| SER.F.            | 1.25         |
| NEMA-NOM-EFF      | 72           |
| RATING            | 40C AMB-CONT |
| CC                |              |
| DE                | 6203         |
| SER. #            |              |
|                   | SFA 1.4/.7   |

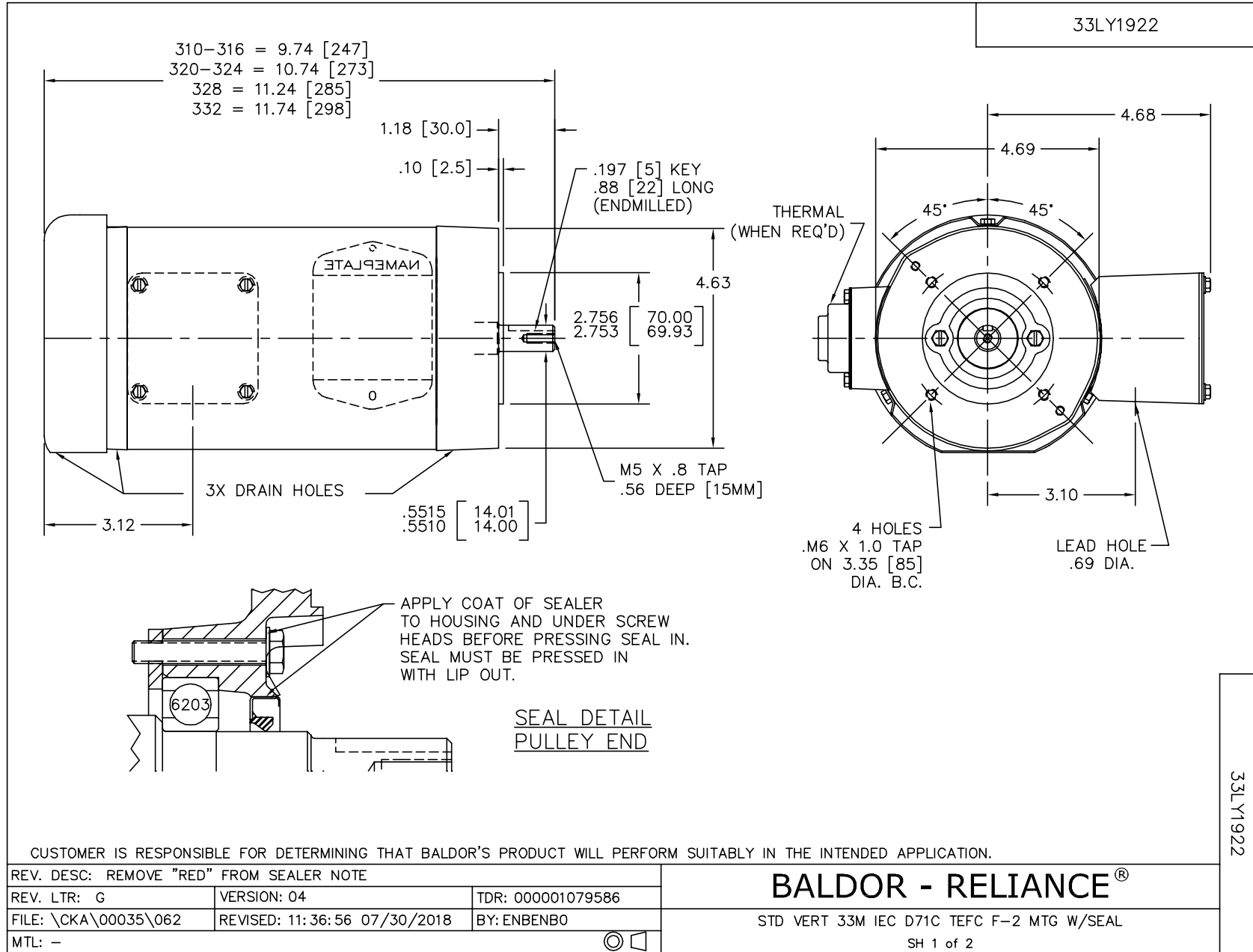
  

|                |          |
|----------------|----------|
| K.W.           | .37 T TE |
| I.P.           | 54       |
| PH             | 3        |
| DES            | B        |
| CL             | B        |
| CODE           | -        |
| PF             | 71       |
| USABLE AT 208V | 1.5      |
| ODE            | 6203     |

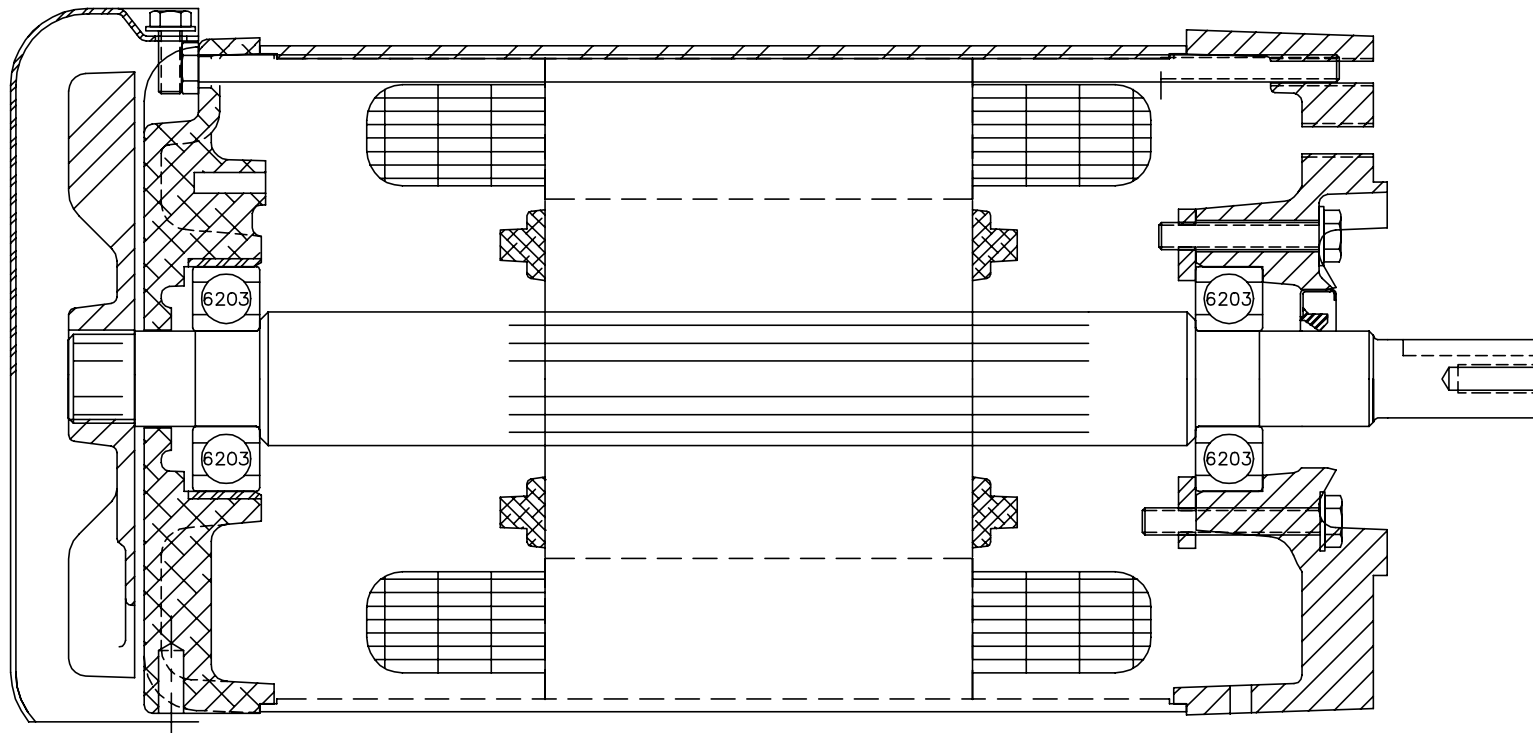
| Parts List  |  |          |
|-------------|--|----------|
| Part Number | Description                              | Quantity |
| SA007274    | SA 33-1922-425                           | 1.000 EA |
| RA003721    | RA 33-1922-425                           | 1.000 EA |
| NS2512A01   | INSULATOR, CONDUIT BOX X                 | 1.000 EA |
| 34CB3002A64 | CB W/.69 DIA @ 6                         | 1.000 EA |
| 34GS1029A01 | GASKET, CONDUIT BOX                      | 1.000 EA |
| 51XB1016A07 | 10-16 X 7/16 HXWSSLD SERTYB              | 2.000 EA |
| 11XW1032G06 | 10-32 X .38, TAPTITE II, HEX WSHR SLTD U | 1.000 EA |
| 33EP3100A01 | EP,33AC ODE GP 6203 TEFC W/DRAIN         | 1.000 EA |
| HW5100A03   | WAVY WASHER (W1543-017)                  | 1.000 EA |
| 33EP1300A35 | PU EP, ENCL FACE MTD IEC D71C FOR SEAL   | 1.000 EA |
| 51XN1032A20 | 10-32 X 1 1/4 HX WS SL SR                | 2.000 EA |
| 33FN3000    | EXTERNAL FAN, PLASTIC                    | 1.000 EA |
| HW1003A08   | WASHER, #8 EX TH LK, ZN (F/S)            | 1.000 EA |
| 33FH4000A01 | FAN COVER, STAMPED                       | 1.000 EA |
| 51XW1032A06 | 10-32 X .38, TAPTITE II, HEX WSHR SLTD S | 3.000 EA |
| 34CB4517    | CB LID 4 MTG HOLES .22 DIA STAMPED, FOR  | 1.000 EA |
| 34GS1031A01 | GASKET, FLAT CONDUIT BOX LID (LEXIDE)    | 1.000 EA |
| 51XW0832A07 | 8-32 X .44, TAPTITE II, HEX WSHR SLTD SE | 4.000 EA |
| HW2504D08   | KEY, 5 MM X .875                         | 1.000 EA |
| HA7000A10   | KEY RETAINER 0.563 DIA SHAFTS            | 1.000 EA |
| HW4600A50   | SEAL,#6806 C-R .669X1.25 X.25 SNG LIP NO | 1.000 EA |
| MJ5001A27   | 32220KN GRAY SEALER *MIN BUY 4 QTS=1GAL  | 0.001 QT |
| MG1000G27   | MED CHARCOAL METALLIC GREY 400-0096      | 0.013 GA |
| 85XU0407S04 | 4X1/4 U DRIVE PIN STAINLESS              | 2.000 EA |

| <b>Parts List (continued)</b> |  |                 |
|-------------------------------|--|-----------------|
| <b>Part Number</b>            | <b>Description</b>                       | <b>Quantity</b> |
| HA3100A44                     | THRUBOLT 10-32 X 8.000                   | 2.000 EA        |
| MN416A01                      | TAG-INSTAL-MAINT no wire (1200/bx) 3/19  | 1.000 EA        |
| LC0005E01                     | CONN.DIA./WARNING LABEL (LC0005/LB1119N) | 1.000 EA        |
| NP1379L                       | ALUM IEC UL CSA CC                       | 1.000 EA        |
| 34PA1002                      | PKG GRP, PRINT PK1001A01                 | 1.000 EA        |

No performance data has been  
assigned to this product.



33LY1922



CUSTOMER IS RESPONSIBLE FOR DETERMINING THAT BALDOR'S PRODUCT WILL PERFORM SUITABLY IN THE INTENDED APPLICATION.

|  |                              |                   |
|--|------------------------------|-------------------|
| REV. DESC: REMOVE "RED" FROM SEALER NOTE |                              |                   |
| REV. LTR: G                              | VERSION: 04                  | TDR: 000001079586 |
| FILE: \CKA\00035\062                     | REVISED: 11:36:56 07/30/2018 | BY: ENBENBO       |
| MTL: -                                   | © □                          |                   |

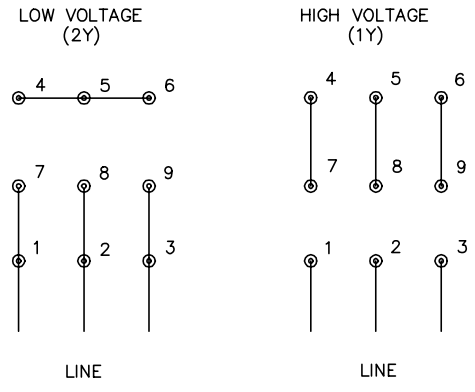
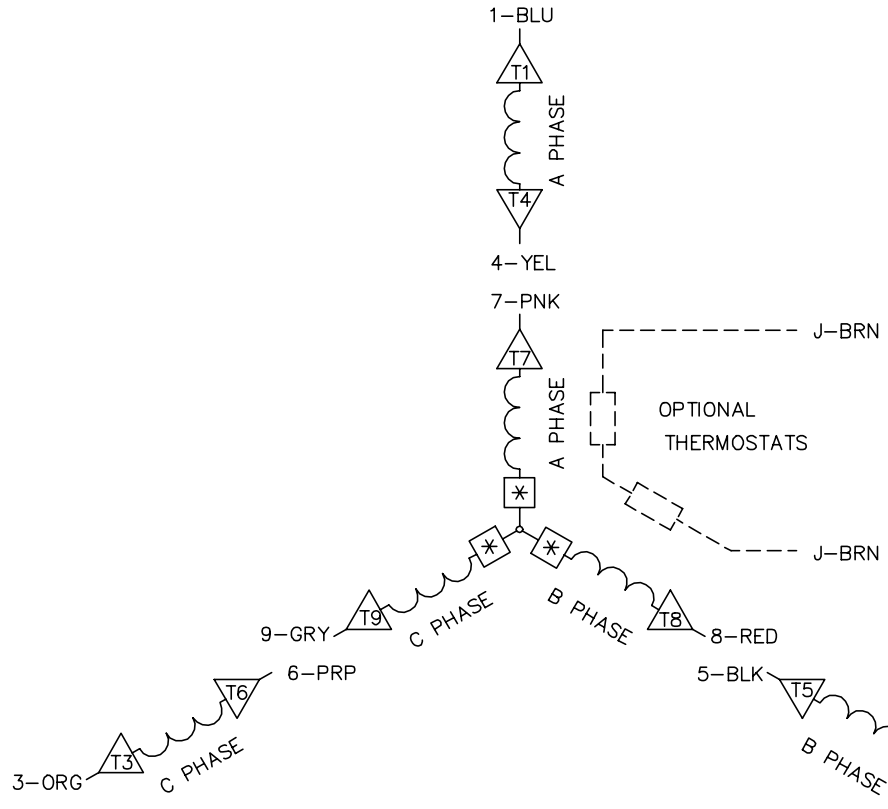
**BALDOR - RELIANCE<sup>®</sup>**

STD VERT 33M IEC D71C TEFC F-2 MTG W/SEAL

SH 2 of 2

33LY1922

CD0005A05



- NOTES:
1. INTERCHANGE ANY TWO LINE LEADS TO REVERSE ROTATION.
  2. OPTIONAL THERMOSTATS ARE PROVIDED WHEN SPECIFIED.
  3. ACTUAL NUMBER OF INTERNAL PARALLEL CIRCUITS MAY BE A MULTIPLE OF THOSE SHOWN ABOVE.
  4. LEAD COLORS ARE OPTIONAL. LEADS MUST ALWAYS BE NUMBERED AS SHOWN.
  5. =MAGNET WIRE COIL END WITH I.D. NUMBER.
  6. =MAGNET WIRE COIL END WITH I.D. SYMBOL.
  7. SEE CW PRINT FOR NEST TO NEST CROSSOVER CONNECTIONS.

|                          |                      |                              |  |
|--------------------------|----------------------|------------------------------|--|
| REV. DESC: ADD NEST NOTE |                      |                              |  |
| REV. LTR: C              | VERSION: 03          | TDR: 000000445597            |  |
| CD0005A05                | FILE: \CKA\00024\847 | REVISED: 12:51:06 11/15/2007 |  |
|                          | MTL: -               | BY: CKMICRO                  |  |

**BALDOR • DODGE • RELIANCE**

3PH, DV, 9 LEADS, CK

CD0005A05